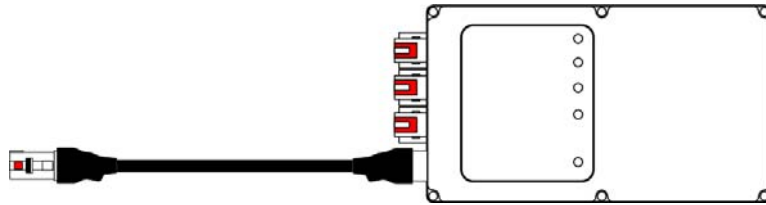


4 PORT ETHERNET HUB



Introduction

The 4 port Ethernet HUB is a unit to allow several MAHTechS devices to be connected together enabling the same PC port to be used for SETUP, DATA DOWNLOAD and SYSTEM DIAGNOSTICS.

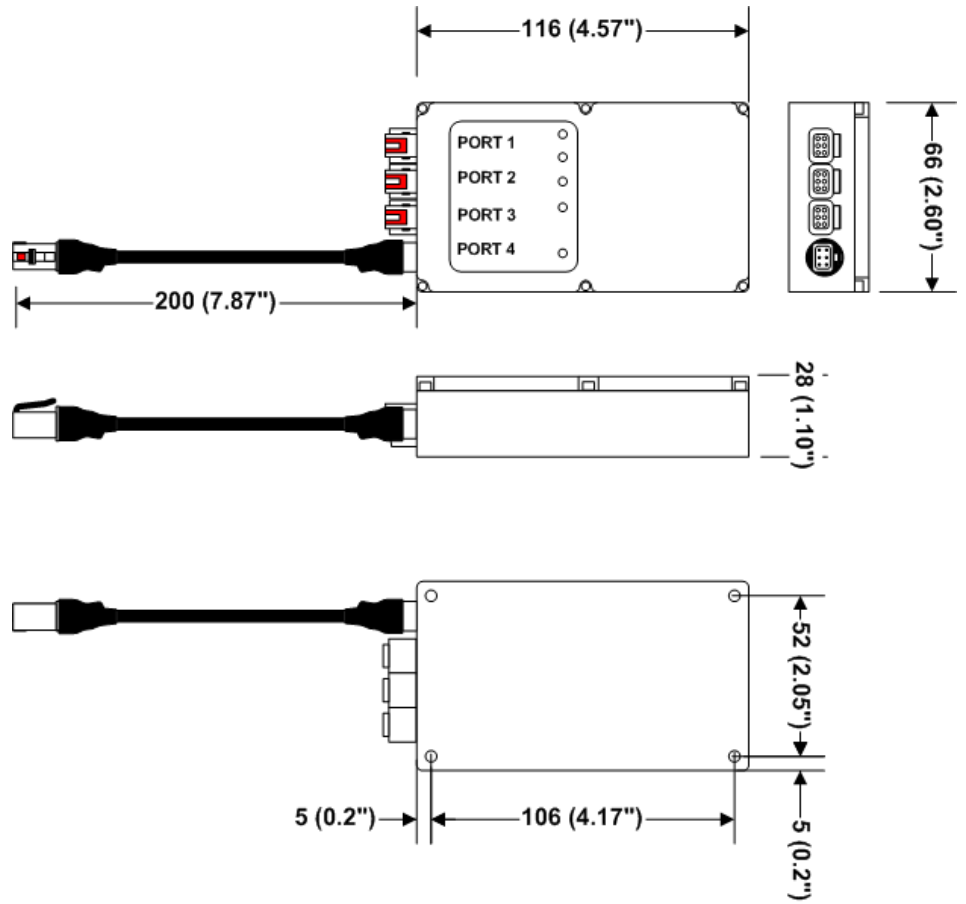
The rugged engineering and technical features are suitable for Your most sophisticated motorsport or Industrial Research & Development application.

The technical specifications are as follows:

- N°4 10 Mbit Ethernet Ports
- N°3 ports for devices connection (Data Logger, Displays, GPS Unit, Telemetry Unit,)
- N°1 for PC or another cascade HUB connection
- 8 - 32Volt DC power supply
- Autosport Fiber 6 poles connectors
- IP67 anodized alluminium case
- Size 116x66x28mm
- Weight of 170gr.

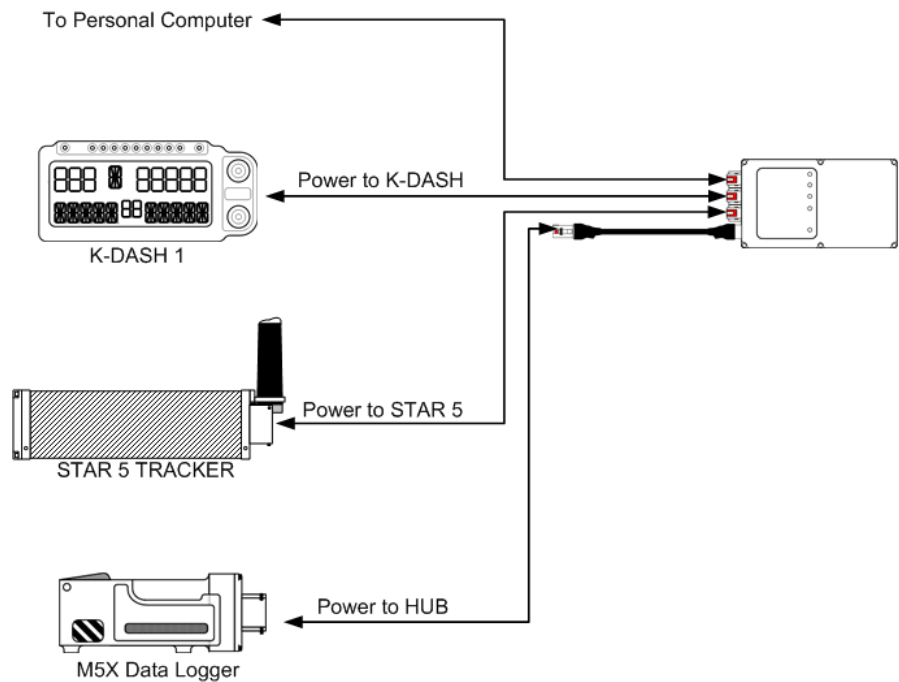


Dimensions

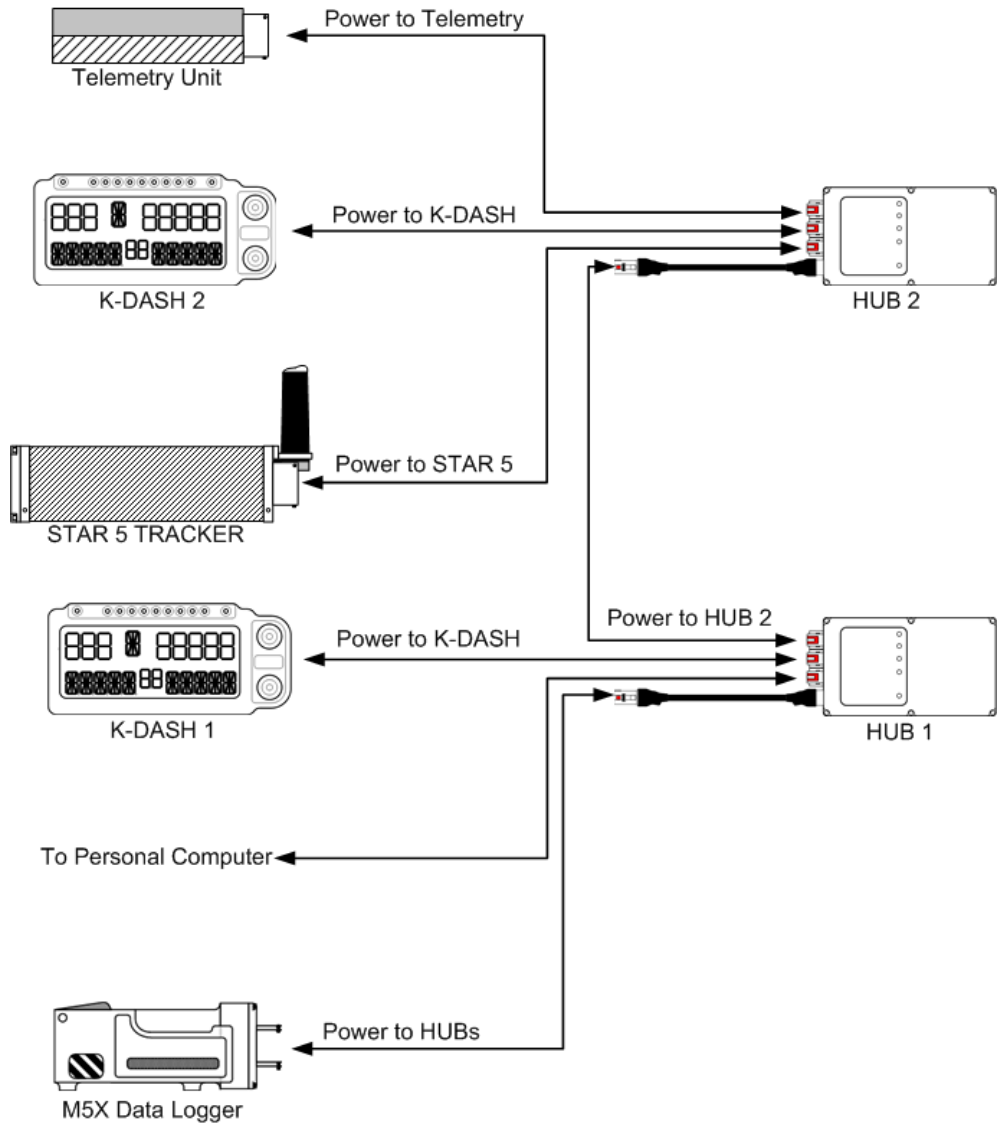


Dimensions in millimetres and (inches)

HUB Connection Example 1



HUB Connection Example 2



MAHTeChS®



Connector Information

Connector PORT 1 – ASC105-06SN Mating Connector ASC605-06PN

PIN	FUNCTION
1	Ethernet TX+
2	Ethernet TX-
3	Ethernet RX+
4	Ethernet RX-
5	+ Battery Voltage Output (1500mA max)
6	- Battery Voltage Output

Connector PORT 2 to 3 – ASC105-06SN Mating Connector ASC605-06PN

PIN	FUNCTION
1	Ethernet TX+
2	Ethernet TX-
3	Ethernet RX+
4	Ethernet RX-
5	+ Battery Voltage Output (500mA max)
6	- Battery Voltage Output

Connector PORT 4 – ASC605-06PN Mating Connector ASC105-06SN

PIN	FUNCTION
1	Ethernet TX+
2	Ethernet TX-
3	Ethernet RX+
4	Ethernet RX-
5	+ Battery Voltage Input (2500mA max)
6	- Battery Voltage Input

Specifications

DESCRIPTION	VALUE
Supply Voltage	8 to 32Volt DC
Supply Current	120mA@12Volt DC
Operating Temperature Range	- 20 to +70°C (-4 to +158°F)
Storage Temperature Range	- 40 to +85°C (-40 to +185°F)
Weight	170 gr. (6.0ounces)
Environmental	IP67

Ordering Information

DESCRIPTION	PART NUMBER
4 Port Ethernet HUB	K 608 001 001 001

MAHTechS Contact

MAHTechS srl - Via Per Spilamberto, 4AB
 41051 Castelnuovo Rangone (Modena) – ITALY
 Telephone +39 059 533 2067 Telefax +39 059 533 2068
 E-mail info@mahtechs.com Web www.mahtechs.com