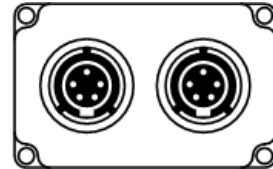
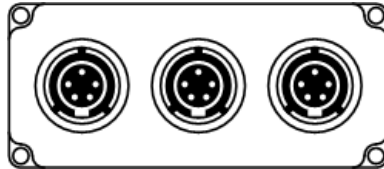


LVDT/RVDT AMPLIFIERS SINGLE and TWIN VERSION



Introduction

The MAHTechS LVDT/RVDT amplifiers are suitable for Your most sophisticated and high precision Motorsport, Industrial Research & Development and Testing applications.

The MAHTechS LVDT Amplifiers are devices able to interface one or two LVDTs/RVDTs displacement sensors with the analogues channels of a data logger device able to accept input voltages between 0 to 5V DC.

The MAHTechS LVDT Amplifiers provides the excitation signals for both LVDTs and it is able to operate remote LVDTs at up to 50 mt.

High Performances LEDs are able to show easily always the amplifier and transducer functionality.

The unit amplifies the output signals from the LVDTs with excellent gain and linearity accuracy and low temperature drift.

The MAHTechS LVDT Amplifiers can be finely calibrated with an easy procedure from the customer to meet the own LVDT type requirements.

The LVDT/RVDT amplifiers are available in the followings versions:

- For one sensor (Single type)
- For two sensors (Twin type)

The technical specifications are as follows:

- Input Voltage 8 ÷ 26 Volt DC
- Max Supply Current
 - 70mA@12V (with full LVDTs extension) for Single Version
 - 120mA@12V (with full LVDTs extension) for Twin Version
- Gain Drift of 50ppm/°C typical of FS max
- Offset Drift of 50ppm/°C typical of FS max
- Linearity of 0.05% of FS max
- Operating Temperature Range 0°C to +70°C
- Environmental IP67



- LVDT Stage 1
 - Output Voltage 0.5 ÷ 4.5 Volt DC (as factory setup)
 - Bandwidth 0 ÷ 200Hz
 - Excitation (Carrier) 2.3KHz
 - Max LVDT distance 50mt
- LVDT Stage 2
 - Output Voltage 0.5 ÷ 4.5 Volt DC (as factory setup)
 - Bandwidth 0 ÷ 200Hz
 - Excitation (Carrier) 2.3KHz
 - Max LVDT distance 50mt
- Autosport/MIL 38999 5 pin connectors
- Compact IP67 anodized aluminium case
- Weight:
 - 75gr. for the Single Version
 - 105gr. for the Twin Version

Specifications

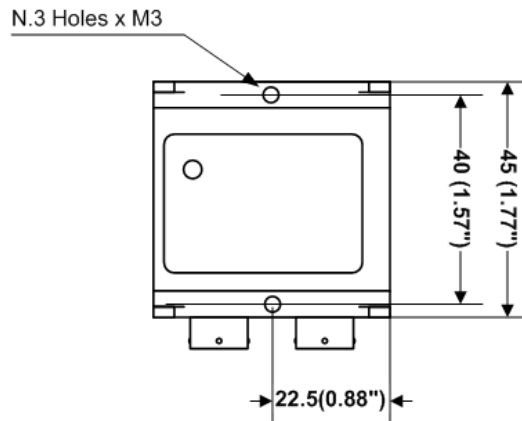
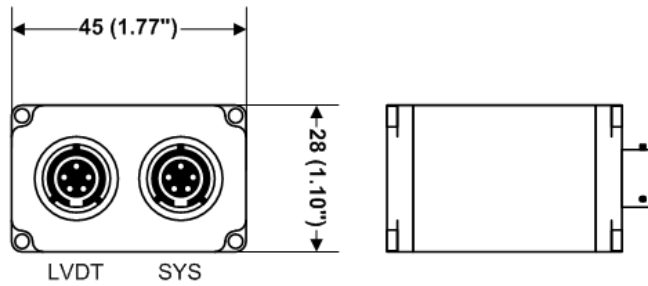
DESCRIPTION	VALUE
Supply Voltage	8 to 26Volt DC
Supply Current	70mA max@12V DC (single) 120mA max@12V DC (Twin)
Operating Temperature Range	- 20 to +70°C (-4 to +158°F)
Storage Temperature Range	- 40 to +85°C (-40 to +185°F)
Weight	75 gr. (2.64 ounces) (Single) 105gr. (3.70 ounces) (Twin)
Environmental	IP67

Ordering Information

DESCRIPTION	PART NUMBER
Twin LVDT Amplifier	M 607 001 001 001
Single LVDT Amplifier	M 607 002 001 001



Dimensions – Single LVDT Version



Dimensions in millimetres and (inches)

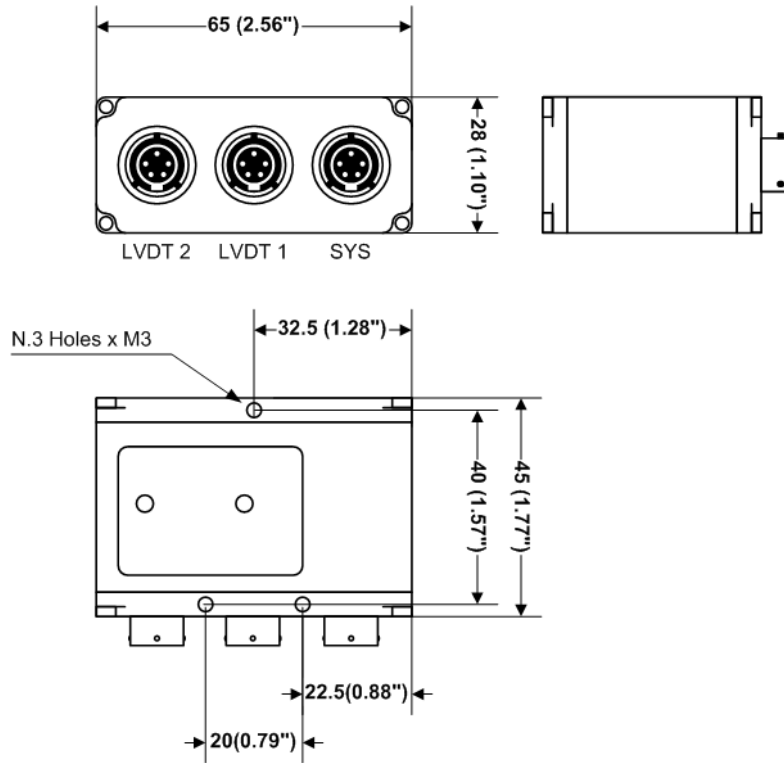
Connector Information

DESCRIPTION	AMPLIFIER Connector	MATING Connector
SYSTEM	AS206-05SB-HE	AS606-05PB-HE
LVDT	AS206-05SN-HE	AS606-05PN-HE
PIN	SYSTEM	LVDT
1	+12V	Primary EX+
2	Gnd	Primary EX-
3	Gnd	Secondary +ve
4	Analog Output	Secondary -ve
5	NC	Secondary Center
Scr	Connected	Connected ¹

1. The LVDT screen must be isolated from the LVDT amplifier, ideally where the cable joins the LVDT



Dimensions – Twin LVDT Version



Dimension in millimetres and (inches)

Connector Information

DESCRIPTION	AMPLIFIER Connector	MATING Connector
SYSTEM	AS206-05SB-HE	AS606-05PB-HE
LVDT1	AS206-05SN-HE	AS606-05PN-HE
LVDT2	AS206-05SN-HE	AS606-05PN-HE

PIN	SYSTEM	LVDT1	LVDT2
1	+12V	Primary EX+	Primary EX+
2	Gnd	Primary EX-	Primary EX-
3	Gnd	Secondary +ve	Secondary +ve
4	Analog Output 1	Secondary -ve	Secondary -ve
5	Analog Output 2	Secondary Center	Secondary Center
Scr	Connected	Connected ¹	Connected ¹

- The LVDT screen must be isolated from the LVDT amplifier, ideally where the cable joins the LVDT

MAHTechS Contact

MAHTechS srl - Via Per Spilamberto, 4AB
 41051 Castelnuovo Rangone (Modena) – ITALY
 Telephone +39 059 533 2067 Telefax +39 059 533 2068
 E-mail info@mahtechs.com Web www.mahtechs.com