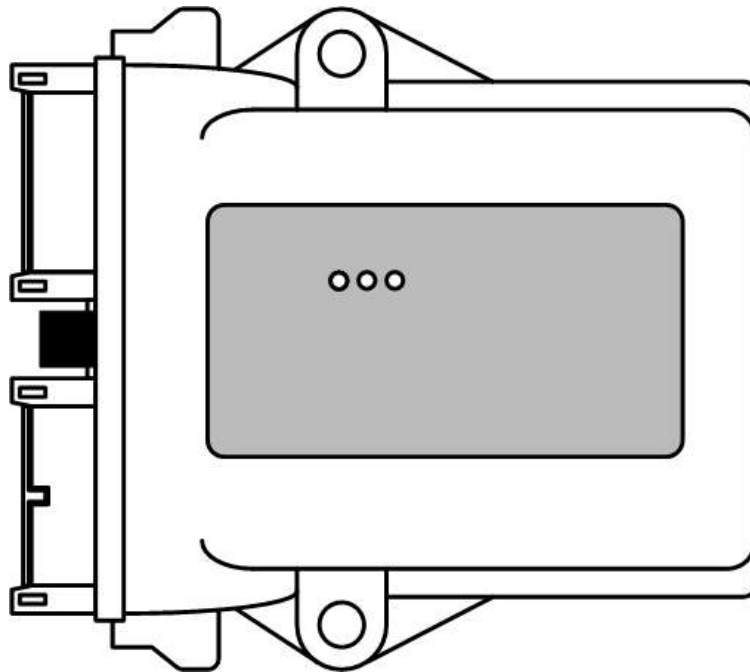


**nanoM5X
COMPACT LOW COST DATA LOGGER
64 TO 512 MBYTE DATA MEMORY
WITH 2 CAN BUS and Ethernet**



Introduction

The MAHTechS nanoM5X data logger is suitable for Your Club and Professional Motorsport, Industrial Research & Development applications.

Light weight, compact size and rugged plastic IP67 case enable the system to be used in a wide range of data logging installations: Durability Test, Driving School, Race Cars Group A, N, T, Rallies, Cup, Karting, GT, Motocross, Powerboats.

Flexible and fully software programmable through a standard Ethernet port, the device can be supplied with 64/128/256/512 MB Compact Flash memory.

A complete fully user programmable CAN BUS port enables the system to be used as a “Black Box” of Your own CAN network.

nanoMX5 has available a wide range of options modules.

4 Speeds inputs, 2 Engine revolution inputs, 7 analogues inputs (one with a programmable gain amplifier and differential input for a direct connection of a K thermocouple), lap trigger input, Ethernet, user CAN and a second CAN for display and expansions, two levels of PC softwares available.

Features

Engine Revs Inputs	2
Speed Inputs	4
Battery Voltage	•
Internal Temperature	•
Analogue 0-5V Single Ended Input	6
Analogue Prog.Gain Differential Input	1
Date and Time	•
Internal ±5g In Line Accelerometer	•
Internal ±5g Lateral Accelerometer	•
Lap Trigger Input	•
CAN BUS for Display and Expansions	•
CAN BUS - User Programmable	•
Data Memory	64MB to 512MB
Battery Voltage Sensor Power Pins	2
5V Sensor Power Pin	1
MAHT ^{5-EASY} PC Software	•
MAHT ^{5-STD} PC Software	OPTION 11
External Power Supply	•
Internal Battery	OPTION 8

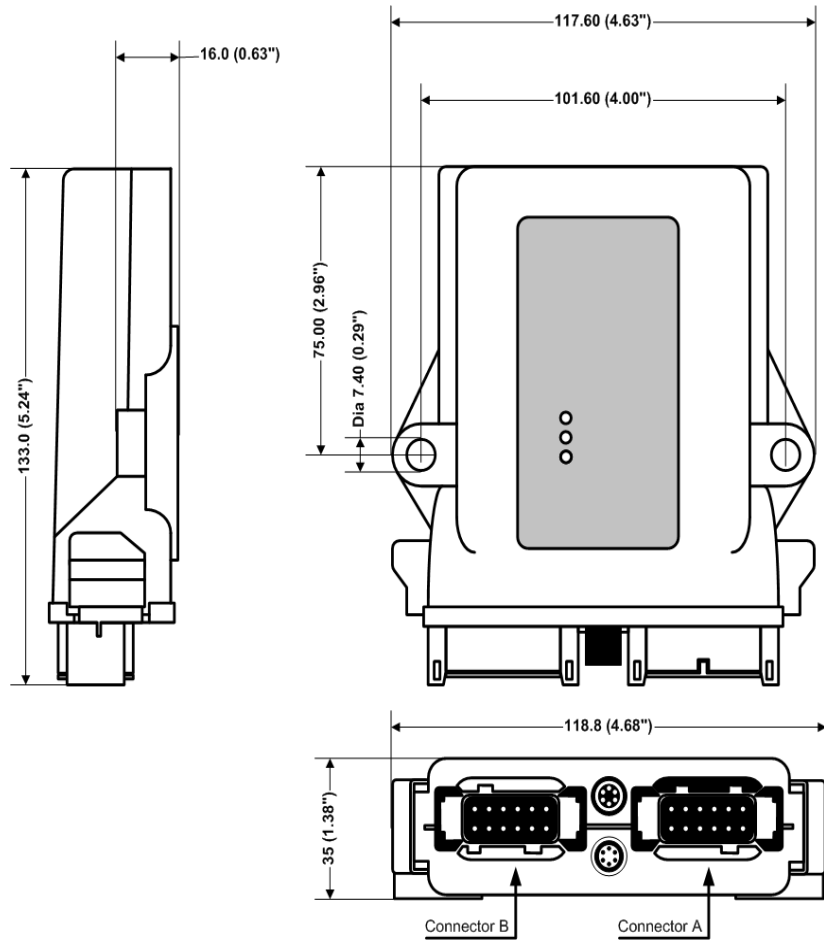
Options

- Option 1** 128 MB Data Memory
- Option 2** 256 MB Data Memory
- Option 3** 512MB Data Memory
- Option 4** **Connector A Wiring Harness**
N°1 Connector A Standard Wiring harness
- Option 5** **Connector B Wiring Harness**
N°1 Connector B Standard Wiring harness
- Option 6** **Custom Wiring harness Request**
Connector A or B Wiring Harness Custom Manufacturing
- Option 7** **Self Manufacturing Wiring Harness Kit**
Connector A and B Wiring Harness supplied in parts (connectors, wires,) for self assembly
- Option 8** **AntiVibration Cradle**
- Option 9** **Lithium Rechargeable Battery Unit**
- Option 10** **2mt. Ethernet Extension Cable**

Expansions and Related Devices

- High Voltage Spark Plug RPM Pick-Up
- 4 Analogue/ K-Thermocouple Inputs Expansion Unit
- 8 Analogue/ K-Thermocouple Inputs Expansion Unit
- MAHT^{5-STD} Professional PC Software Upgrade
- WiFi - Wireless Data Download and Programming Connection
- K-DASK Driver Display
- K-DASH Trip-Master Display
- LB5 Software Programmable LED bar

Dimensions



Dimensions in millimetres and (inches)

Connector Information

Digital Connector (A)
Mating Connector
DEUTSCH DTM06-12SA

Analogue Connector (B)
Mating Connector
DEUTSCH DTM06-12SB

PIN	FUNCTION	PIN	FUNCTION
1	Digital Input 6 (RPM2)	1	Analogue Input 5
2	Lap Trigger Signal Input	2	5Volt@150mA Out
3	CAN H user	3	+ VBATT@350mA Out
4	CAN L user	4	Analogue Input 6
5	Digital Input 2 (Speed1)	5	Analogue Input 1
6	Digital Input 3 (Speed2)	6	Analogue GND
7	Digital Input 4 (Speed3)	7	Analogue Input 7
8	Digital Input 5 (Speed4)	8	Analogue Input 2
9	Battery GND	9	Analogue GND
10	Digital GND	10	Analogue Input 3
11	Digital Input 1 (RPM1)	11	- Analogue Input 4
12	Battery Voltage Input	12	+ Analogue Input 4

Ethernet Connector
Mating Connector
HIROSE HR30-6P-6S

Expansion Connector
Mating Connector
HIROSE HR30-6P-6P

PIN	FUNCTION	PIN	FUNCTION
1	NC	1	Battery Voltage
2	NC	2	Battery GND
3	Ethernet 1	3	CAN H
4	Ethernet 2	4	CAN L
5	Ethernet 3	5	Battery Charger 1
6	Ethernet 4	6	Battery Charger 2

Specifications

DESCRIPTION	VALUE
Supply Voltage	8 to 32Volt DC
Supply Current	170mA@12Volt DC
Operating Temperature Range	- 20 to +70°C (-4 to +158°F)
Storage Temperature Range	- 40 to +85°C (-40 to +185°F)
Weight	280 gr. (9.9 ounces)
Environmental	IP67

Ordering Information

DESCRIPTION	PART NUMBER
nanoM5X Kit	K 600 006 001 001

MAHTechS Contact

MAHTechS srl - Via Per Spilamberto, 4AB
41051 Castelnuovo Rangone (Modena) – ITALY
Telephone +39 059 533 2067 Telefax +39 059 533 2068
E-mail info@mahtechs.com Web www.mahtechs.com