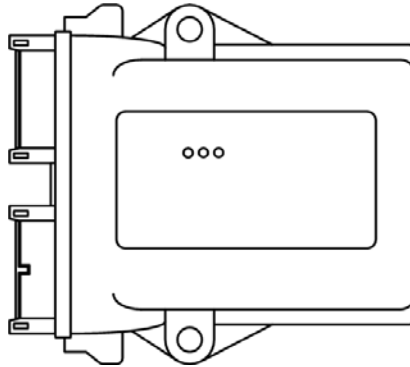


nanoM5 COMPACT LOW COST DATA LOGGER UP TO 256 MBYTE DATA MEMORY WITH CAN BUS and USB



Introduction

The MAHTechS nanoM5 data logger is suitable for Your Club and Simple Professional Motorsport, Industrial Research & Development applications.

Light weight, compact size and rugged plastic IP67 case enable the system to be used in a wide range of data logging installations: Durability Test, Driving School, Race Cars Group A, N, T, Rallies, Cup, Karting, GT, Motocross, Powerboats.

Flexible and fully software programmable through USB, the device can be supplied with 32/64/128/256 MB Compact Flash memory.

A CAN BUS port enables the system to be used as a “Black Box” of Your own CAN network.

nanoM5 is available in 4 versions:

LITE: is the lowest cost and user friendly engine data logger to be used on Your sport car/motorbike. The Kit is including the RPM sensor and standard wiring harness.

LITE+: is the LITE version with internal Lithium battery option. More than 6 hours of uninterrupted power with an AUTO SWITCH ON/OFF feature.

PRO: is the most complete device for small and low cost data logging application.

PRO+: this version is adding 4 wheel speeds channels to the PRO version



Features

	LITE	LITE+	PRO	PRO+
Engine Revs Input	1	1	1	2
Speed Input			1	4
Battery Voltage	•	•	•	•
Internal Temperature			•	•
Analogue 0-5V Single Ended Input			3	3
Analogue Prog.Gain Differential Input			1	
Date and Time	•	•	•	•
Internal ±5g On Line Accelerometer			•	•
Internal ±5g Lateral Accelerometer			•	•
Lap Trigger Input	•	•	•	•
CAN BUS only for Display	•	•		
CAN BUS User Programmable			•	•
Data Memory [64 MB as Standard]	•	•	•	•
USB and PC Data Download Cable	•	•	•	•
350mA Battery Voltage Sensor Power Pins	•	•	•	•
MAHT ^{5-EASY} PC Software	•	•		
MAHT ^{5-STD} PC Software			•	•
Connector A Standard Wiring Harness	•	•		
External Power Supply	•	•	•	•
Internal Battery		•		
RPM Sensor	•	•		

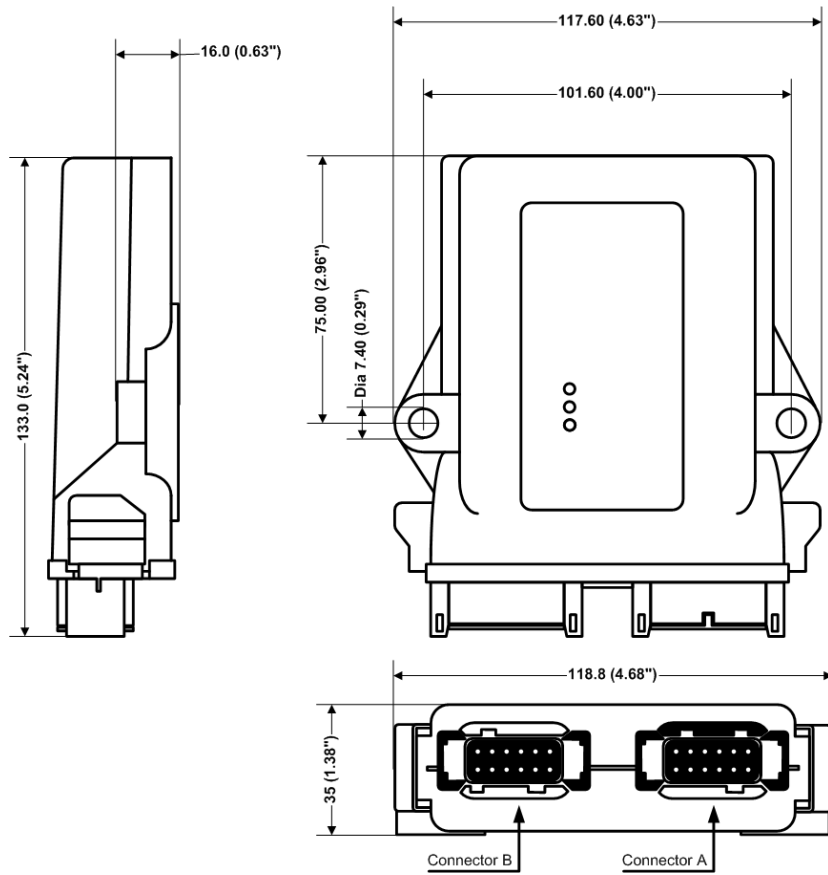
- Standard Features

Options

- Option 1 Data Memory**
128 MB
- Option 2 Data Memory**
256 MB
- Option 3 RPM**
N°1 High Voltage RPM Pick-Up
- Option 4 Connector A Wiring Harness**
N°1 Connector A Standard Wiring harness
- Option 5 Connector B Wiring Harness**
N°1 Connector B Standard Wiring harness
- Option 6 Custom Wiring harness Request**
Connector A or B Wiring Harness Custom Manufacturing
- Option 7 Self Manufacturing Wiring Harness Kit**
Connector A and B Wiring Harness supplied in parts (connectors, wires,) for self assembly

Options 1,2 require the Unit to be shipped to MAHTechS

Dimensions



Dimensions in millimetres and (inches)





Connector Information

Connector A Mating Connector DEUTSCH DTM06-12SA		Connector B Mating Connector DEUTSCH DTM06-12SB	
PIN	FUNCTION	PIN	FUNCTION
1	+ VBATT@350mA Out	1	Digital Input 2 (Speed)
2	Lap Trigger Signal Input	2	5Volt@150mA Out
3	CAN H	3	+ VBATT@350mA Out
4	CAN L	4	Analogue GND
5	USB4 (Digital GND)	5	Analogue Input 1
6	USB2	6	Analogue GND
7	USB3	7	Digital GND
8	Battery Charger Input	8	Analogue Input 2
9	Battery GND	9	Analogue GND
10	Digital GND	10	Analogue Input 3
11	Digital Input 1 (RPM)	11	- Analogue Input 4
12	Battery Voltage Input	12	+ Analogue Input 4

Specifications

DESCRIPTION	VALUE
Supply Voltage	8 to 32Volt DC
Supply Current	170mA@12Volt DC
Operating Temperature Range	- 20 to +70°C (-4 to +158°F)
Storage Temperature Range	- 40 to +85°C (-40 to +185°F)
Weight	280 gr. (9.9 ounces)
Environmental	IP67

Ordering Information

DESCRIPTION	PART NUMBER
nanoM5-LITE Kit	K 600 005 001 001
nanoM5-PRO Kit	K 600 006 001 001
nanoM5-LITE+ Kit	K 600 007 001 001
nanoM5-PRO+ Kit	K 600 008 001 001
nanoM5-Option 1	K 600 009 001 001
nanoM5-Option 2	K 600 010 001 001
nanoM5-Option 3	K 512 005 001 001
nanoM5-Option 4	M 111 001 001 001
nanoM5-Option 5	M 111 002 001 001
nanoM5-Option 6	M 111 003 001 001
nanoM5-Option 7	K 111 001 001 001

MAHTechS Contact

MAHTechS srl - Via Per Spilamberto, 4AB
 41051 Castelnovo Rangone (Modena) – ITALY
 Telephone +39 059 533 2067 Telefax +39 059 533 2068
 E-mail info@mahtechs.com Web www.mahtechs.com